

GEORGE KEEN

LANDSCAPE ARCHITECT
 701 East Broward Blvd. Suite 'C'
 FORT LAUDERDALE, FLORIDA 33301
 954-763-4770
 FAX 763-4704

REVISION	BY:
△ PER NEW SITE & COMMENTS	11/4/07

GUSTAVO J. CARBONELL, P.A.
 Architect and Planner
 1457 N.E. 4th AVE.
 Ft. Lauderdale, Florida, 33304
 (954) 462-6565
 Member American Institute of Architects



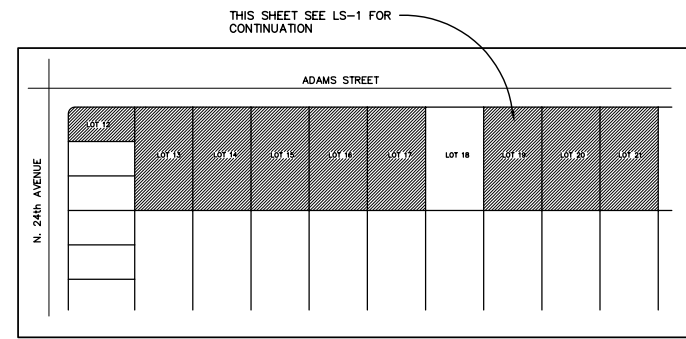
**PROPOSED TOWNHOUSES FOR:
 "TANGO GARDEN"**
 ADAMS STREET & 24th. AVENUE
 HOLLYWOOD, FLORIDA

SEAL: AR NO. 0007957
LANDSCAPE PLAN

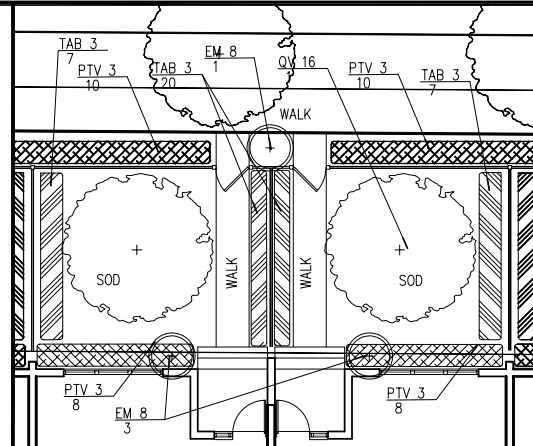
DRAWN: **GWK**
 CHECKED: **G.J.C.**
 DATE: **06/16/2005**
 SCALE: **AS NOTED**
 JOB. NO.: **05-062**
 SHEET:

LS-2

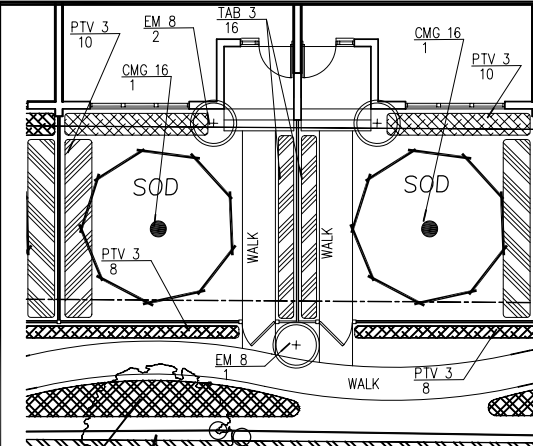
OF 1 SHEETS



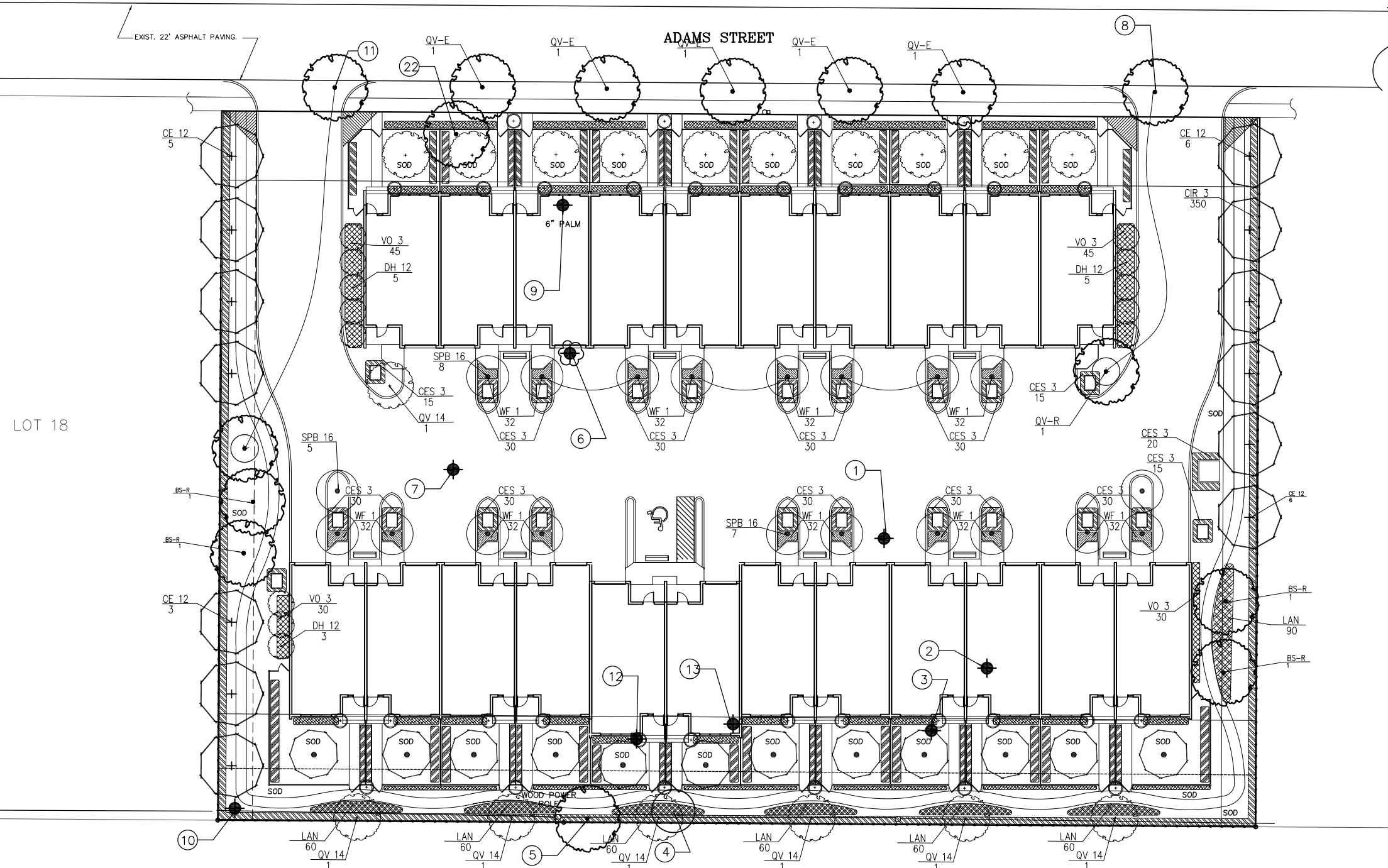
1 LOCATION MAP
 SCALE: N.T.S.



3 FRONT YARD DETAIL
 SCALE: 1/8"=1'-0" - 13 REQUIRED ON SITE



4 REAR YARD DETAIL
 SCALE: 1/8"=1'-0" - 16 REQUIRED ON SITE



2 LANDSCAPE PLAN
 SCALE: 1/16" = 1'-0"

