



**CITY OF HOLLYWOOD
DEPARTMENT OF PUBLIC UTILITIES
ENGINEERING & CONSTRUCTION SERVICES DIVISION**

1621 N. 14th Avenue
Hollywood, FL 33022
Phone (954) 921-3900 Fax (954) 921-3462

ADDENDUM NUMBER 1

Date: June 17, 2010

FOR: Lot A – 2030 Dewey St. – Single Family House

FILE NUMBER: CDCC 10-006A

ALL BIDDERS BE ADVISED OF THE FOLLOWING CHANGES TO THE ABOVE REFERENCED PROJECT AS LISTED BELOW:

This addendum is issued as part of the Bidding Documents for the above described project. The changes incorporated in this addendum shall be considered as a part of the documents and shall supersede, amend, add to, clarify, or subtract from those conditions shown in the original documents dated June 4, 2010. The bidder shall coordinate all modifications herein with all trades and disciplines related to the work. The Bidder shall acknowledge receipt of this addendum on the Bid Form by addendum number and date. Failure to do so may subject Bidder to disqualification.

Item 1: CLARIFICATION

The waterproofing membrane used in the shower shall be CHLORALLOY as manufactured by the Noble Company (www.noblecompany.com) unless an equal product is submitted and approved by the Architect. (See Attachment No. 1).

Item 2: Modifications to Drawings

DRAWINGS:

1. **REPLACE** the following sheets with Revised Sheets dated 16 June 2010; A-1, S-1, S-2, S-3, S-4 and S-5.



**CITY OF HOLLYWOOD
DEPARTMENT OF PUBLIC UTILITIES
ENGINEERING & CONSTRUCTION SERVICES DIVISION**

1621 N. 14th Avenue
Hollywood, FL 33022
Phone (954) 921-3900 Fax (954) 921-3462

ADDENDUM NUMBER 1

Attachments:

- Attachment No. 1
Specification for Waterproofing with Chloraloy (CPE) Chlorinated Polyethylene Sheet Membrane
- REVISED Drawing Sheets A-1, S-1, S-2, S-3, S-4 and S-5.

ALL OTHER TERMS, CONDITIONS AND SPECIFICATIONS SHALL REMAIN THE SAME.

THIS ADDENDUM SHALL BE ATTACHED TO THE CONTRACT DOCUMENTS AND THE RECEIPT OF THE SAME SHALL BE NOTED IN THE PROPOSAL IN THE SPACE PROVIDED.

Jitendra Patel, P.E., Assistant Director
Department of Public Utilities - ECSD

ATTACHMENT NO.1

CHLORALOY®

SPECIFICATION FOR WATERPROOFING WITH CHLORALOY (CPE) CHLORINATED POLYETHYLENE SHEET MEMBRANE (Short Form Specification)

PART 1 - GENERAL

1.1 REFERENCES

- 1.1.1. ASTM D-4068 - Standard Specification for Chlorinated Polyethylene (CPE) Sheeting for Concealed Water-Containment Membrane.
- 1.1.2. ASTM E96 - Standard Test Methods for Water Vapor Transmission of Materials.

1.2 QUALITY ASSURANCE

- 1.2.1. Use qualified workers thoroughly skilled and experienced in current ANSI A108 standards and Tile Council of America (TCA) recommendations.

1.3 SUBMITTALS

- 1.3.1. Product Data: Submit manufacturer's technical information and installation instructions for materials required.

1.4 PROJECT CONDITIONS

- 1.4.1. Comply with bonding agent manufacturer's recommended procedures for hot or cold weather.

PART 2 - PRODUCTS

[2.1 MATERIALS

- 2.1.1. PRESLOPE MATERIAL: Pro-Slope with weep hole protector as manufactured by Noble Company. Patented composite material consisting of low density EPS with reinforced cutting template on one side. EPS tapered to produce slope of 1/4 inch per foot to weep holes in shower receptor drain.] A sloped mortar may also be used.

2.2 MEMBRANE

- 2.2.1. WATERPROOF MEMBRANE: Chloraloy sheet membrane manufactured by Noble Company of non-plasticized Chlorinated Polyethylene (CPE), nominal thickness of 40 mils with water vapor transmission rate of 5.2 ng/(Pa s m²) (.044 perms) minimum per ASTM E96, procedure E. Meets ASTM D 4068 and listed with IAPMO, and local code authorities.

PART 3 - EXECUTION

3.1 INSPECTION

- 3.1.1. Examine substrates, drains and clamping devices to verify they are ready to receive the membrane with no deficiency that could result in a potentially defective installation. Surfaces to be clean, reasonably smooth and free of cracks, holes or sharp projections.

3.2 INSTALLATION

- 3.2.1. Install membrane in strict accordance with manufacturer's printed instructions.
- 3.2.2. Install membrane with products or methods approved in writing by manufacturer when joining, sealing, fastening or adhering sheet membrane.

[3.3 FIELD QUALITY CONTROL WATER TEST

- 3.3.1. Upon completion of work, plug drain or dam areas and fill with water. After 24 hours, inspect for leakage. Make necessary adjustments to stop leakage and re-test until watertight.]

3.4 PROTECTION

- 3.4.1. Protect membrane from pedestrian or vehicular traffic and prolonged exposure to sunlight. [Option: leave water from test until membrane is covered.]

NOTE: A specifier is within his rights to issue a proprietary specification that names only one brand. If in the informed and professional judgement of the specifier, his client's needs will be best served by naming a particular brand, then he has the responsibility to limit his specification to one source. This practice is even acceptable on publicly funded projects. This principle of proprietary specification has found legal support in the case of *Whitten Corp. v. Paddock Pool Builders, Inc.*, a Federal District Court case from Massachusetts (376 F. Supp 125). Further support came in 1975 when the U.S. Supreme Court rejected further appeal and review.

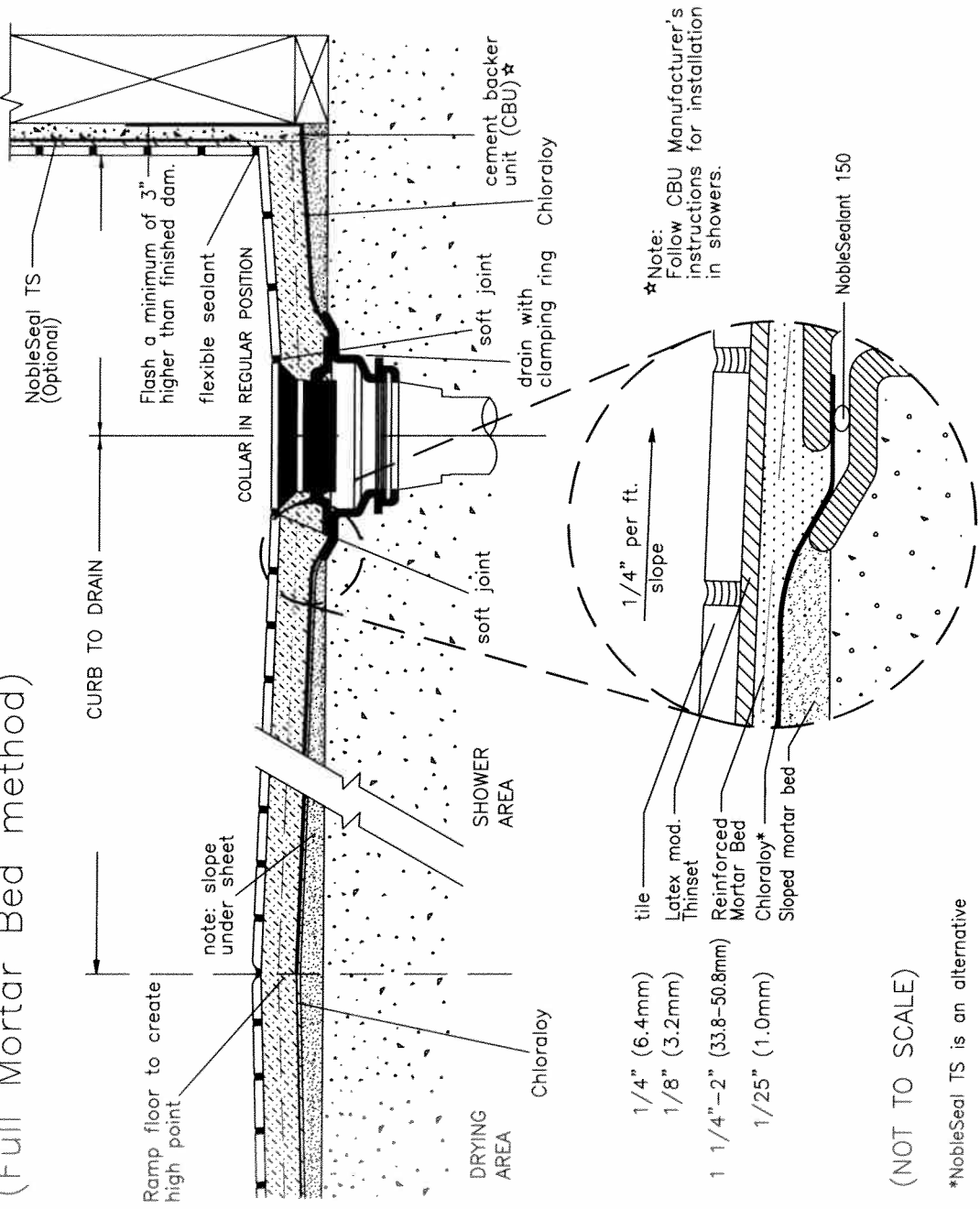


P.O. Box 350 • Grand Haven, MI 49417-0350 • Phone: 800-878-5788
231-799-8000 • Fax: 231-799-8850 • www.noblecompany.com
© Registered Trademark of Noble Company, Grand Haven, MI

CHL-SFS 7/05
Supersedes 3/05

WHEELCHAIR ACCESSIBLE SHOWER AREA

(Full Mortar Bed method)



(NOT TO SCALE)

*NobleSeal TS is an alternative

INSTALLATION INSTRUCTIONS FOR CHLORALOY® 240 (CPE)

1. PRODUCT

- 1.1 Chloraloy 240: Sheet membrane made from Chlorinated Polyethylene (CPE), 1 mm (.040") nominal thickness, gray in color. Designed to function as a waterproofing (and/or cleavage) membrane under a full mortar bed installation of ceramic tile, dimension stone or terrazzo tile.
 - 1.2 Chloraloy 240 meets these requirements for shower pan liner: ASTM D 4068, International Plumbing Code (IPC), and IAPMO FILE 3046.
 - 1.3 **Limitations:**
 - a) Tile cannot be directly bonded to Chloraloy. A reinforced mortar bed is generally laid over Chloraloy. Tile can then be thin-set to the mortar bed. See TCNA guidelines.
 - b) Chloraloy 240 may not be exposed to direct sunlight for more than 48 hours.
 - 1.4 For applications not detailed herein, contact Noble Company.
-

2. PREPARATORY WORK

- 2.1 The structural floor or substrate must be clean, smooth and free of holes, cracks and sharp projections. Nail heads should be driven flush or recessed.
 - 2.2 Blocking between studs is recommended to support upturned membrane.
HINT: Notching the studs at each corner approximately 1/8" will provide space for folded Chloraloy corners and prevent backer board from bowing. If metal studs are used, the backer board can be "shimmed" slightly to provide space for the folded corners.
 - 2.3 Substrate should be sloped per code requirements with no depressions where ponding could occur.
 - 2.4 Where drains are incorporated into the installation (e.g. showers, commercial kitchens, decks, etc.), the substrate must be sloped towards the drain.
 - 2.5 Drains must be equipped with proper clamping devices and weep holes. Inspect for warpage of clamping ring or drain body. Rotating clamping ring may improve seal. Replace drains warped over .040". When reusing existing drain, clean rust, caulk, mortar, etc., from face of clamping ring and matching surface on drain. Use NobleSealant 150 to form watertight seal between Chloraloy and the drain body.
-

3. MATERIALS FOR INSTALLATION

- 3.1 Chloraloy 240 sheet membrane. Preformed corners as required. NobleSealant 150 (see tube for coverage) for seaming, sealing, and to caulk drains. Knife or scissors, and hand roller.
Note: NobleWeld 100 solvent seaming cement (spread rate 100 l.f./qt.) can also be used to seam sheets of Chloraloy
 - 3.2 Use hot air gun to expedite curing of solvent weld or when temperature is below 7°C (45°F).
-

4. PROCEDURE

- 4.1 **PAN:** Line the area with Chloraloy 240. Allow for upturn when cutting sheet (see 4.2 and Figure 1).
NOTE: Rolls of Chloraloy are marked on each side with blue lines at approximately 6" intervals. These marks are intended to be used as guidelines, not accurate measurements.
- 4.2 The upturn should be 3" above the finished dam or floodplane as specified or required by code. Membrane should be flashed behind the backer board.
- 4.3 Turn the sheet up on all sides using folded corners (see Figure 3), or use preformed inside corners as needed.
- 4.4 Secure the liner to the backing or studs with nails or staples in top 1" of flashed membrane. Install upturn at dam over the top and fasten on outside face. Where metal studs are used and no backup material is provided, use sheet metal screws and washers. Fold the material over 1" at the top to give extra strength and fasten it to the studs. Where walls are concrete or block, use masonry nails, screws with washers or NobleSealant 150. Follow directions on label.
- 4.5 **PREFORMED DAM CORNERS:** Protects against water leakage at the junction of the shower opening and the dam. Recommended even when not required. To install corners, use NobleSealant 150 and follow seaming and joining procedures for NobleSealant 150.
- 4.6 **DRAINS:** Press firmly on the Chloraloy using drain body as a cutting template to cut the opening.
CAUTION: When cutting bolt holes, do not cut beyond outside perimeter of clamping area (see Figure 2). Snug bolts evenly and then tighten firmly to make a watertight seal. Apply a bead of NobleSealant 150 under the sheet over the clamping ring drain body.
- 4.7 **PENETRATIONS:** If it becomes necessary to penetrate the membrane below the waterline or in any other critical area, use a piece of Chloraloy 240 3" larger (all sides) than damaged area and secure in place (see 4.8.1 - 4.8.2)
- 4.8 **SEAMING AND JOINING PROCEDURES:** When the area to be waterproofed is wider than the width of a sheet, sheets may be seamed (joined) using NobleSealant 150 or NobleWeld 100. Both methods provide permanent, waterproof seams.
CAUTION: Bonding area must be dry, clean and free of dust, dirt, oil and grease.

4.8.1 **NOBLESEALANT 150** (see instructions on tube).

- a. Lay out sheets to overlap approximately 2" and mark.
- b. Apply 1/8" bead (minimum) of sealant 1/4" from edge on first sheet (spread rate 150 l.f./tube).
- c. Apply second bead 3/4" from edge on first sheet.
- d. Overlap first sheet and flatten beads with hand roller, trowel or putty knife.

4.8.2 **NOBLEWELD 100** (see instructions on can).

NOTE: Do not leave NobleWeld 100 open while fabricating seams as the solvent quickly dissipates. Apply from can and spread with 1" to 2" natural bristle brush.

- a. Allow 2" for lap seam. Use a minimum of 6" strip for cap seam.
- b. Only work 2' to 3' of seam at a time.
- c. Clean by lightly applying Xylene or alcohol. Immediately wipe with clean, lint-free cloth.
- d. Roughen both surfaces to be bonded with copper scrub pad or clean wire brush.
- e. Apply NobleWeld 100 liberally and evenly to both surfaces approximately 1" wider than finished seam.
DO NOT ALLOW SOLVENT TO DRY. Material should be soft, wet and tacky. Should solvents dry before completing seam, re-apply.

f. Close seam while CPE is soft and still wet with solvent. **CAUTION:** See 4.8.2 (i).

g. Use roller, putty knife or rub seam with cloth to remove excess solvent and eliminate air bubbles.

NOTE: The application of heat improves the efficiency of seaming at low temperatures. A hot air gun is recommended to cure seam below 7°C (45°F).

h. To insure continuous seam, peel seam back several inches into just-completed section before starting next section.

i. Seams must be allowed to cure to develop strength. Do not stress until allowed to cure for 24 hours at 21°C (70°F) and 40% relative humidity. Cure times may be reduced by heating.

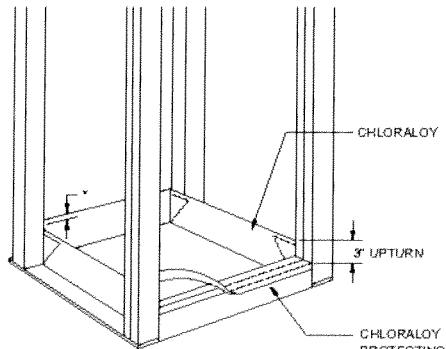
NOTE: Seam may be water tested after curing (at least 30 minutes).

4.9 **TESTING:** Test installation by filling pan with water. Inspect for leakage. If leaking is detected, first re-tighten clamping ring, then inspect ring to be certain it mates with the drain body and is not warped. If defective, replace. It may be possible to seal by welding a second layer of Chloraloy 240 in area of drain body and/or sealing with NobleSealant 150. Repeat testing until no leaks can be detected.

TIP: To protect liner from damage, water may be left in pan.

DETAILS

FIG. 1
SHOWER PAN



*NAILS USED TO SECURE CHORALOY TO BLOCKING/JOISTS SHOULD BE IN UPPER 1/2" OF UPTURNS.

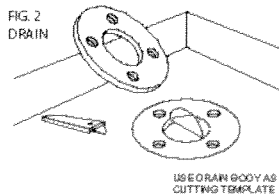
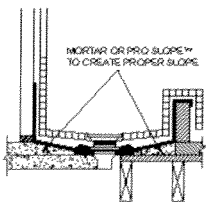
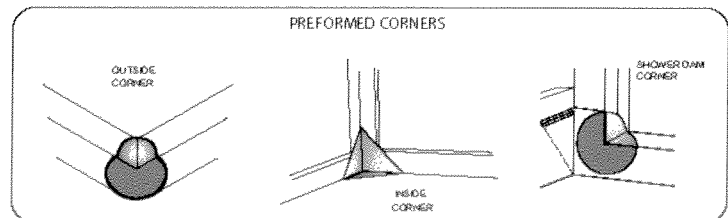
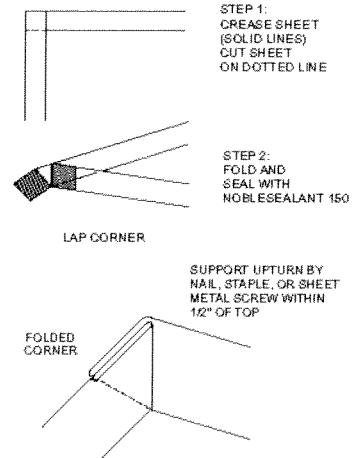
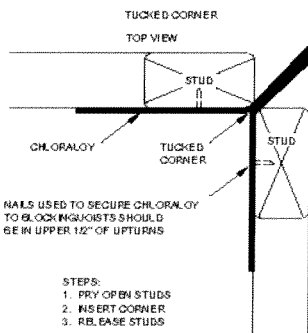


FIG. 3
CORNERS



NOTE: CHLORALOY 240 MUST BE INSTALLED IN COMPLIANCE WITH LOCAL CODES, APPROPRIATE ANSI STANDARDS AND TCNA RECOMMENDATIONS. SEE INSTALLATION INSTRUCTIONS FOR MORE DETAILS. CONTACT NOBLE COMPANY FOR OTHER INFORMATION.

Additional product information is available 24 hours a day, 7 days a week at www.noblecompany.com or by calling Fast Fax, our automated Fax Back System (800-272-1519).



P.O. Box 350 · Grand Haven, MI 49417-0350 · 800-878-5788 · Fax: 231-799-8850 · www.noblecompany.com
 ® Registered Trademark of Noble Company, Grand Haven, MI