
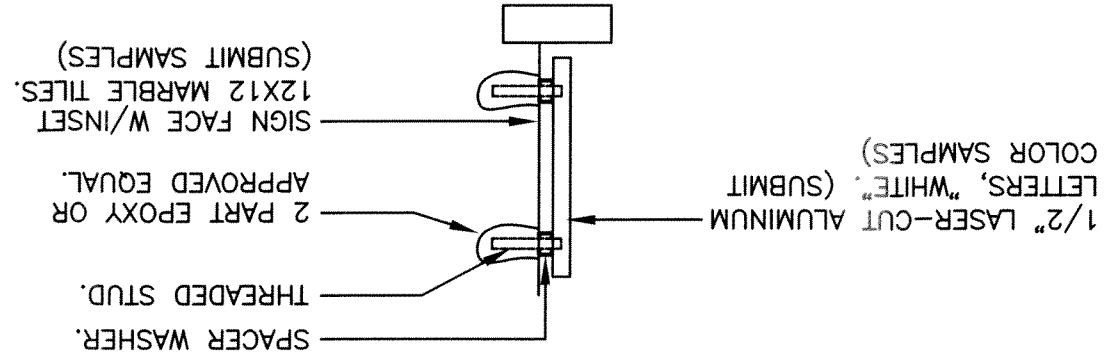
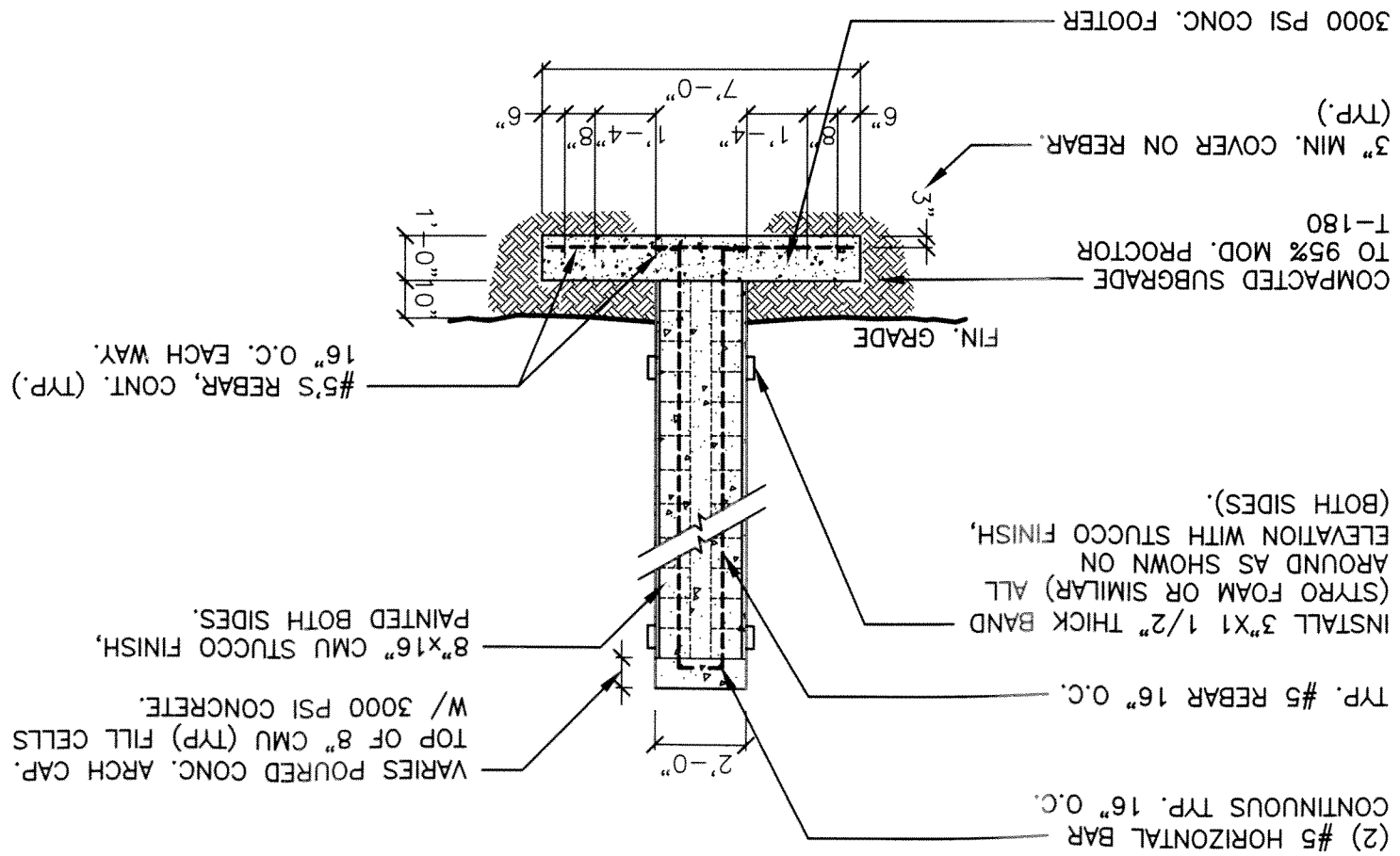
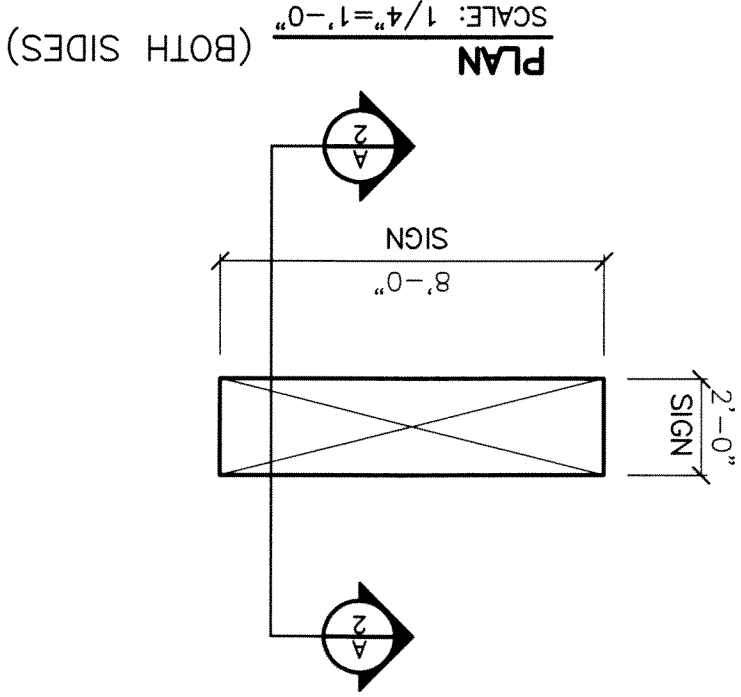

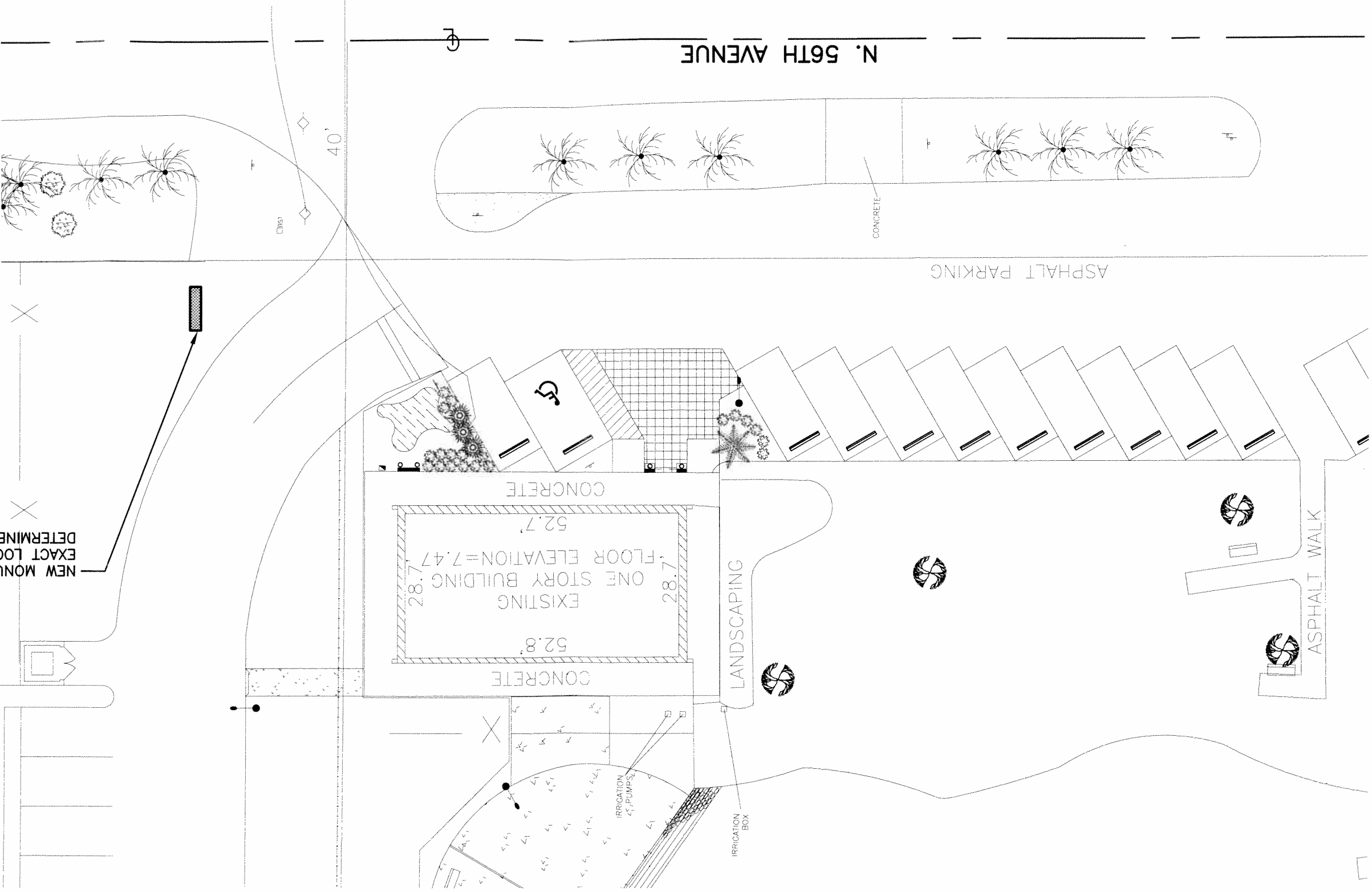


SEAL	SHEET <b>1</b> OF <b>3</b>	<b>OAK LAKE PARK COMMUNITY CENTER</b>			SCALE 3/4"=1'-0"	CADD No. 05-039 SIGN
		<b>SIGN ELEVATION</b>			DATE 08-25-10	FILE No. F 05-039
City of Hollywood, Florida Department of Public Utilities				DESIGNED B.W.	ACCT. No.	
				DRAWN B.S.A.	SENIOR PROJECT MANAGER	
				CHECKED		

NOTE:  
 THE SIGN HAS BEEN DESIGNED PER SECTION  
 1620 H.V.HZ 140 MPH 3 SEC. GUST, EXPOSURE  
 C. THE STRUCTURE WAS DESIGN ASSUMING A  
 MINIMUM SOIL BEARING CAPACITY OF 1,500  
 POUNDS PER SQUARE FOOT.



SEAL	
<b>SHEET 2 OF 3</b>	
<b>OAK LAKE PARK COMMUNITY PARK SIGN PLAN &amp; SECTION</b>	
City of Hollywood, Florida Department of Public Utilities	
	
SCALE AS SHOWN	CADD No. 05-039 SIGN
DATE 08-25-10	FILE No. F 05-039
DESIGNED B.W.	ACCT. No.
DRAWN B.S.A.	
CHECKED	SENIOR PROJECT MANAGER



**SITE PLAN WITH SIGN LOCATION**

SCALE: 1"=20'



SEAL

SHEET

**3**

3 OF 3

**OAK LAKE PARK COMMUNITY CENTER**

**SITE PLAN WITH SIGN LOCATION**

City of Hollywood, Florida  
Department of Public Utilities



SCALE	1" = 20'	CADD No.	05-039 SP-SIGN
DATE	08-25-10	FILE No.	F 05-039
DESIGNED	B.W.	ACCT. No.	
DRAWN	B.S.A.		
CHECKED			
		SENIOR PROJECT MANAGER	